

D 100 AHA
D 120 AHA

D 100 AHG
D 120 AHG
D 150 AHG



www.ausa.com

Hire Today...

Dublin 01 908 1005

Dundalk 042 933 9500



dromadhire.com

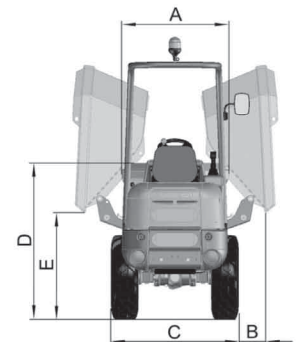
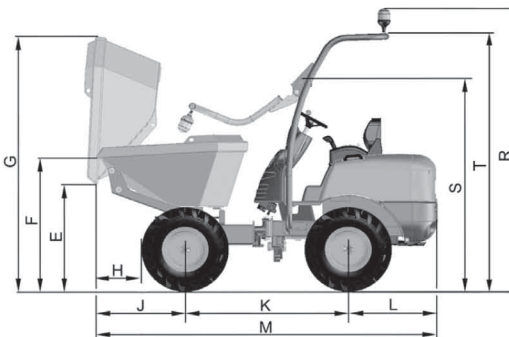
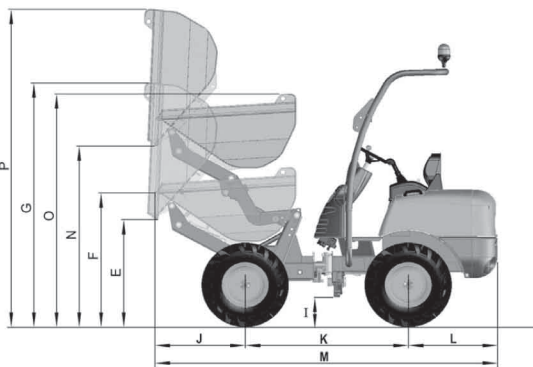
D 100 AHA_1000 Kg
D 120 AHA_1200 Kg
D 100 AHG_1000 Kg
D 120 AHG_1200 Kg
D 150 AHG_1500 Kg



www.ausa.com

| DIMENSIONS (mm) | D 100 AHA | D 120 AHA | D 100 AHG | D 120 AHG | D 150 AHG |
|-----------------|------------------------|-----------|-------------|-----------|-----------|
| A | 990 | 1190 | 990 | 1190 | 1391 |
| B | - | - | 293 (393) | 245 | 100 |
| C | 1100 (1180, 1030, 990) | 1200 | 1100 (1030) | 1200 | 1450 |
| D | 1440 | 1485 | 1436 | 1470 | 1500 |
| E | 935 | 980 | 983 | 1020 | 1030 |
| F | 1230 | 1275 | 1227 | 1275 | 1275 |
| G | 2235 | 2280 | 2367 | 2430 | 2525 |
| H | 485 | 440 | 457 | 435 | 435 |
| I | 220 | 265 | 231 | 265 | 275 |
| J | 822 | 822 | 804 | 804 | 820 |
| K | 1500 | 1500 | 1500 | 1500 | 1600 |
| L | 820 | 820 | 820 | 820 | 820 |
| M | 3142 | 3142 | 3124 | 3124 | 3240 |
| N | 1635 | 1680 | - | - | - |
| O | 2135 | 2180 | - | - | - |
| P | 2935 | 2980 | - | - | - |
| R | 2605 | 2650 | 2636 | 2650 | 2600 |
| S | 1955 | 2000 | 1971 | 2000 | 2015 |
| T | 2375 | 2420 | 2400 | 2420 | 2450 |

* with optional tyres



TECHNICAL SPECIFICATIONS

| | D 100 AHA / D 120 AHA | D 100 AHG / D 120 AHG | D 150 AHG |
|------------------------------|--|--|---|
| Load capacity (Kg) | 1000 / 1200 | 1000 / 1200 | 1500 |
| Unloading system | Hydraulic tipping | Hydraulic, 180° rotating | Hydraulic, 180° rotating |
| Chassis | | Articulated +/- 35° and oscillating +/- 13° | |
| Hopper capacities (l) | Water Levelled Heaped | 325 / 425 390 / 495 505 / 670 | 520 626 835 |
| Engine | Diesel Power acc./SAE J 1995 (KW/CV) N° of Cylinders Cooling system | Kubota D1105 16,8 KW / 22,8 CV (2700 rpm) 3 Water | |
| Traction | | 4 x 4 permanent | |
| Transmission | | Hydrostatic with variable flow pump automatic regulation. Forward and reverse control on the joystick. | |
| Engine starting system | | Electric | |
| Speed (max.) (Km/h) | 15 / 17 | 15 / 17 | 14 |
| Axles | | Axles with planetary wheel reduction | |
| Unladen weight (Kg) | 1300 / 1375 | 1270 / 1375 | 1510 |
| Gradeability | 38% / 48% | 38% / 48% | 40% |
| Hydraulic circuit | | Gear pump of 8 cc. | |
| Tyres | Standard Optional | 27x8.50-15" / 10.0/75-15.3" 11.0 / 65 - 12; 7.00-12; 6.5/80 (D 100 AHA) | Working pressure 170 bar. 27 x 8.50 - 15" / 10.0/75-15.3" 7.00-12 (D 100 AHG) |
| External turning radius (mm) | | 3060 | Working pressure 210 bar. |
| Steering | | Hydraulic | |
| Tank capacity (l) | Fuel Hydraulic fluid | 23 21.2 | |
| Service and parking brake | | Sealed oil-immersed, multidisc, mechanically operated | |
| STANDARD EQUIPMENT | | Anti vandal system Ergonomic with safety belt Joystick ROPS Rotating beacon Rear view mirror Audible reverse warning (Std. UK) | |
| OPTIONAL EQUIPMENT | | Great confort seat FOPS overhead guard Homologated lighting equipment Metal engine canopy Towing hitch | |